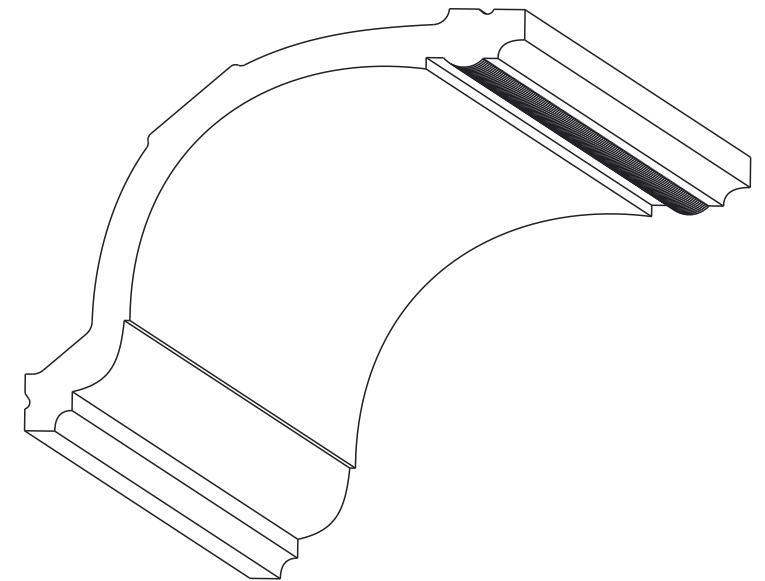


SCALE 1:1



SCALE 1:2

Please beware: Product is visualized in this drawing without ornamentation

— ROHS — Parts must be compliant to rohs regulations. If any modification on drawing is in contradicim with ROHS regulations, contact Orac before delivery!	<h2 style="margin: 0;">Orac</h2> <p style="margin: 0;">Biekorfstraat 32 8400 Oostende - Belgium Tel +32 (0)59 80 32 52 Fax +32 (0)59 80 28 10 www.oracdecor.com</p>	All dimensions are in mm unless otherwise specified	Part name: C216-PROD-MM Part description:	
	Drawing properties Drawn with: Creo 2.0 Page size: A4 Page scale: 1:1 Sheet nr: 1 / 1 Projection:	Material: PUROTOUCH Remarks:		Drawn by: Anton Smolko Drawn on: 15-Jul-2014
All information in this document is Orac's exclusive property. It may in no case be reproduced, even partly, be communicated to a third party or used for any possible purpose without ORAC's express written permission.			Rev:	