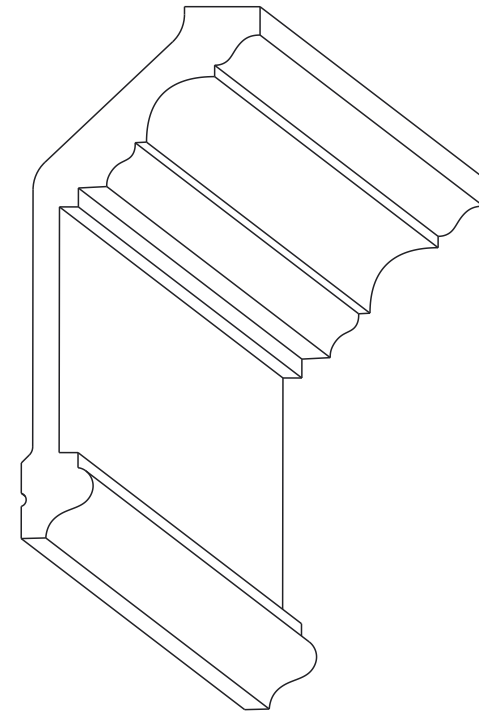


SCALE 1:1



SCALE 1:2

Please beware: Product is visualised in this drawing without ornamentation

ROHS Parts must be compliant to rohs regulations. If any modification on drawing is in contradicim with ROHS regulations, contact Orac before delivery!	<h2 style="margin: 0;">Orac</h2> <p style="margin: 0;">Biekorfstraat 32 8400 Oostende - Belgium Tel +32 (0)59 80 32 52 Fax +32 (0)59 80 28 10 www.oracdecor.com</p>	All dimensions are in mm unless otherwise specified	Part name: C303-PROD-MM Part description:	
	<b>Drawing properties</b> Drawn with: Creo 2.0 Page size: A4 Page scale: 1:1 Sheet nr: 1 / 1 Projection:		<b>Material: PUROTOUCH</b> Remarks:	
All information in this document is Orac's exclusive property. It may in no case be reproduced, even partly, be communicated to a third party or used for any possible purpose without ORAC's express written permission.			Drawn by: Anton Smolko Drawn on: 15-Jul-2014	Painted Surface : 19,7 dm <sup>2</sup> /m
			<b>Rev:</b>	